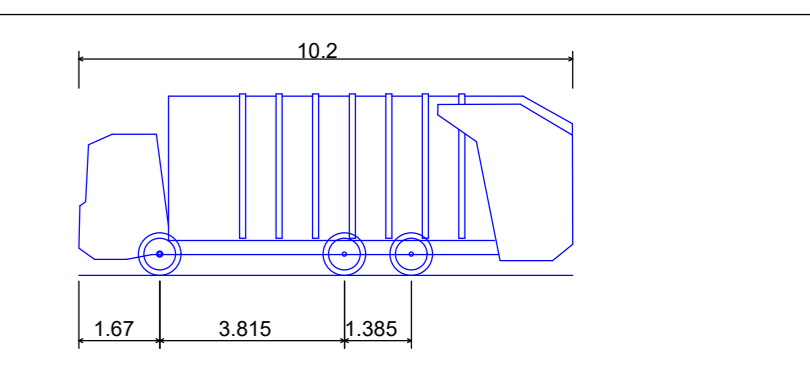


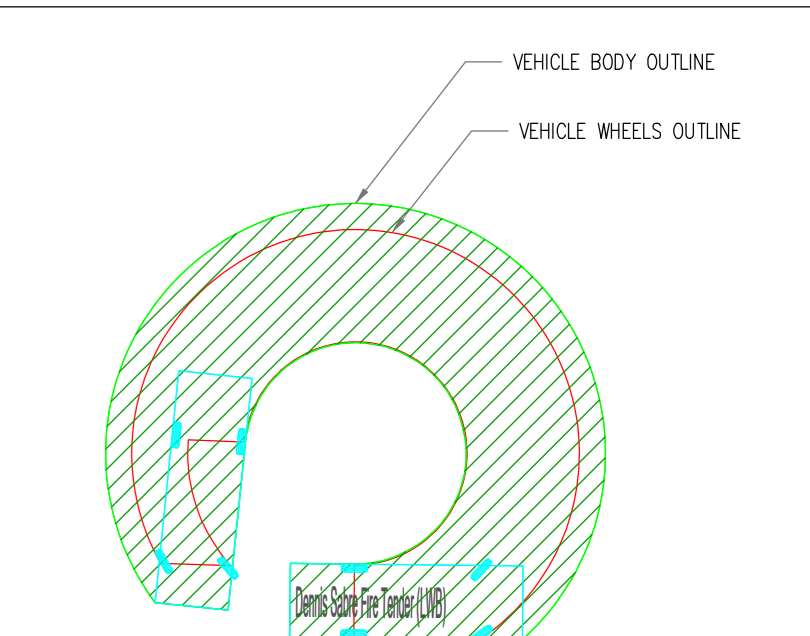
GA1 SUBJECT TO SHD APPLICATION
(ABP REF. TA06F.310418)

GA1 SUBJECT TO SHD APPLICATION
(ABP REF. TA06F.310418)

AS PERMITTED FCC REG. REF. F16A/0412,
ABP REG. REF. ABP-248970 (AND AS AMENDED
UNDER F20A/0258 AND F21A/0046)



Phoenix 2 Duo (P2-12W with Elite 6x4 chassis)
 Overall Length 10.200m
 Overall Width 2.530m
 Overall Body Height 3.751m
 Min Body Ground Clearance 0.304m
 Track Width 2.500m
 Lock-to-lock time 4.00s
 Curb to Curb Turning Radius 7.800m



SWEPT PATH PLAN.

PLANNING DRAWING.
 NOT FOR CONSTRUCTION.
 ALL LEVELS GIVEN ARE
 RELATIVE TO ORDNANCE DATUM.
 THIS DRAWING HAS BEEN ISSUED FOR INFORMATION
 PURPOSES ONLY AND MUST NOT BE USED
 FOR CONSTRUCTION UNDER ANY CIRCUMSTANCES

NOTES
 1. For setting out refer to Architect's drawings.
 2. This drawing to be read in conjunction with all other Architectural and Engineering drawings and all other relevant drawings and Specifications.
 3. DO NOT SCALE THIS DRAWING. Use figured dimensions only.
 4. No part of this document may be reproduced or transmitted in any form or stored in any retrieval system of any nature without the written permission as copyright holder except as agreed.
 5. Ordnance Survey Ireland Licence Number EN 0074021

Rev No.	Date	REVISION/NOTE	Drawn By	Checked By
P1	01.03.2021	Site Layout Revised	JS	OS

Architect	Henry J. Lyons
Project	GA03 Project Shoreline, Baldoye.
Title	SWEPT PATH ANALYSIS REFUSE VEHICLE SHEET 2 OF 2
Drawn By	BD-CSC-ZZ-G3-DR-C-0127
Date	13.10.2020
Drawn By	JS
Checked By	NB
Approved By	OS
Scale	1:500 (A3)
Revision	P1

CS Consulting Group
 DUBLIN | LONDON | LIMERICK

Head Office
 19-21 Dame Street, Dublin 2
 T: +353 (0)1 4546663
 E: info@csconsulting.ie
 W: www.csconsulting.ie

Quality
 ISO 9001:2008
 Health & Safety
 ISO 45001:2018
 Environmental
 ISO 14001:2015